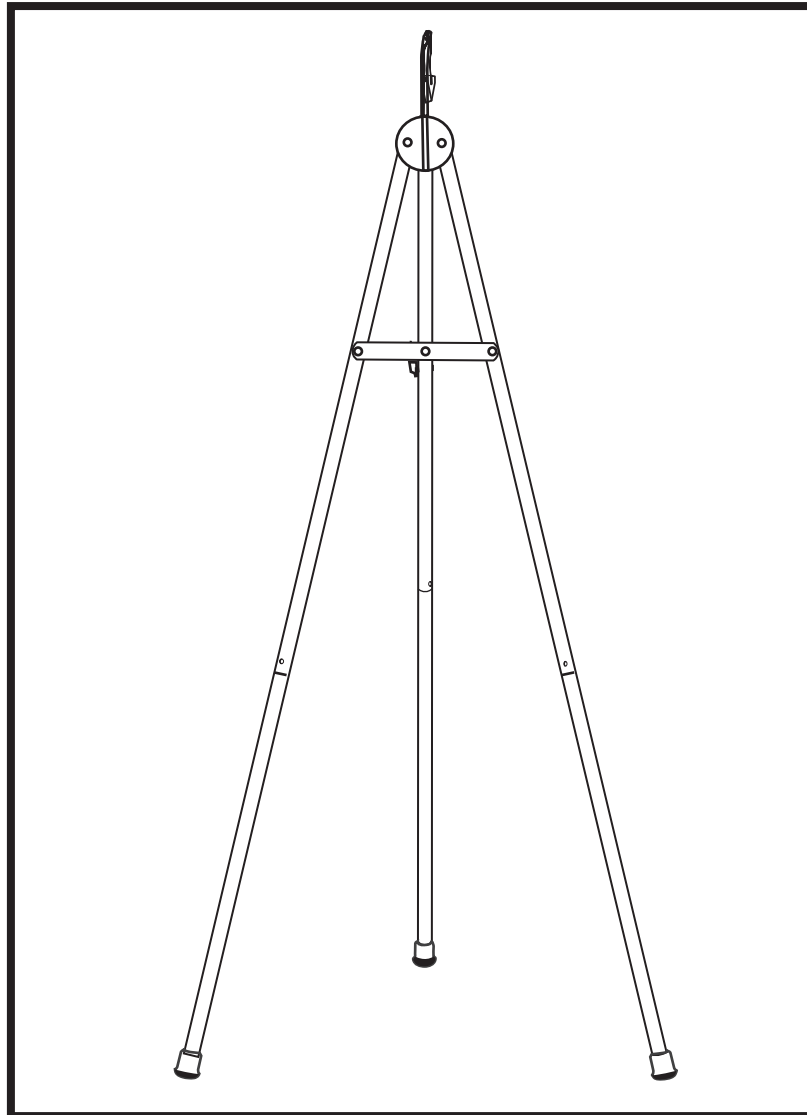


# Floor Stand Extension Kit Instructions

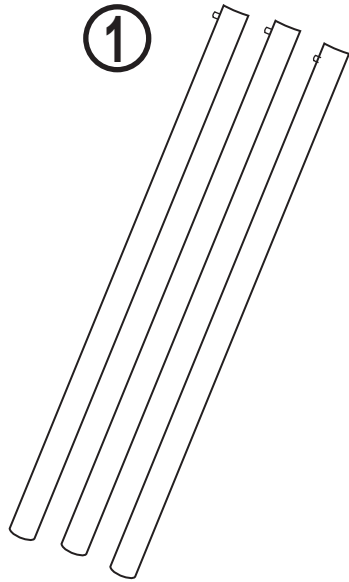
Floor Stand Extension Kit (#63011)



1600 Distribution Drive, Suite D  
Duluth, GA 30097  
678-475-1647  
1-800-523-5542  
678-475-1756 fax

# Floor Stand Extension Kit Parts List and Instruction

## PARTS LIST:



1. Extension Legs (3) (Part #PWLEG)

## ① ILLUSTRATION

1. Remove **RUBBER FEET** from existing **STAND**.

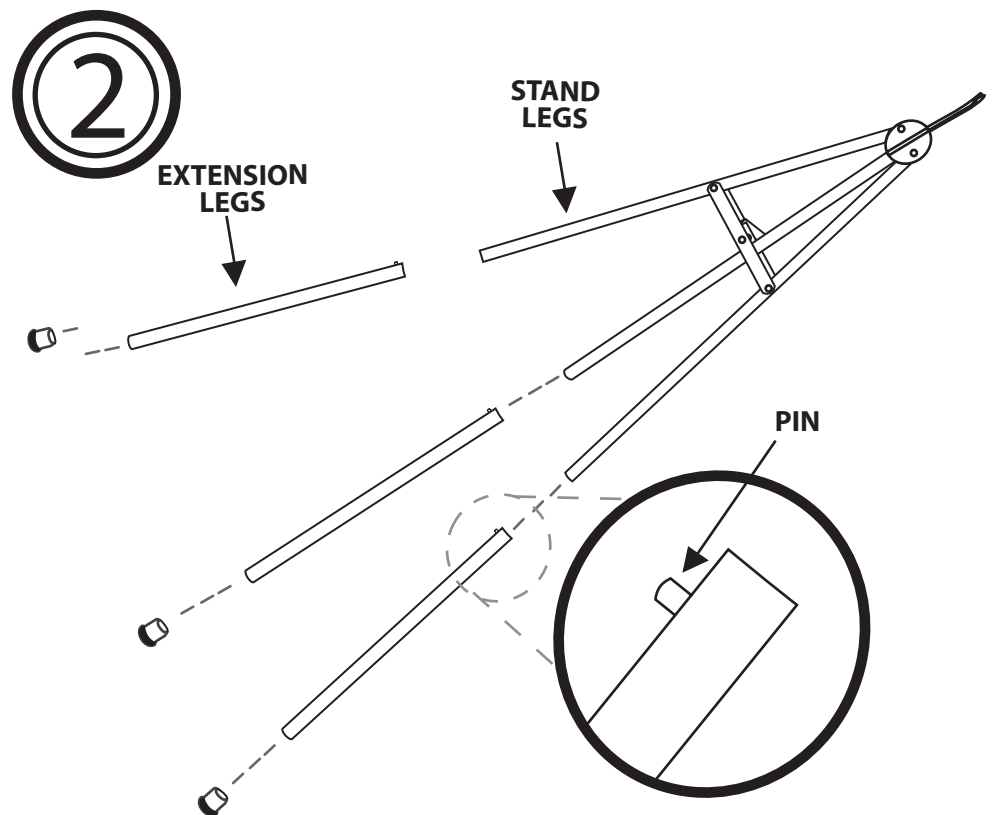
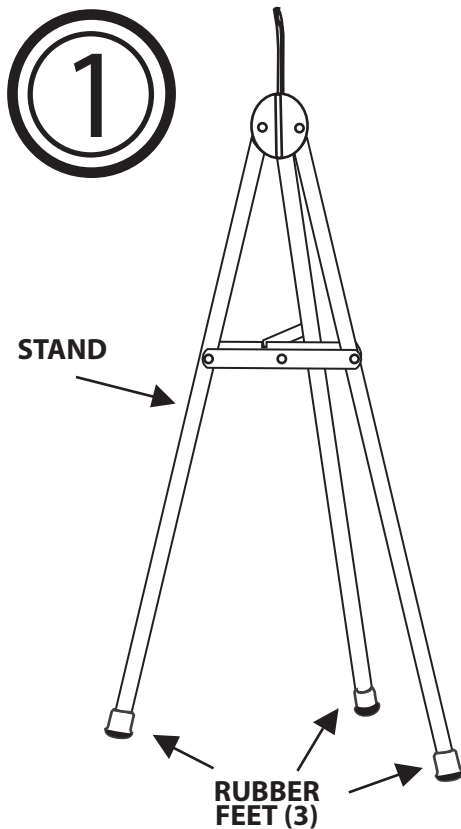
## ② ILLUSTRATION

2. Insert the three **EXTENSION LEGS** into each **STAND LEG** by pressing the silver **PIN** on the **EXTENSION LEG** and rotating to meet the hole on each of the the **STAND LEGS**.



**TIP:** **PINS** should pop through the hole on the **STAND LEGS** to ensure stability of the **STAND**.

3. Replace **RUBBER FEET** on the end of **EXTENSION LEGS**.



If any assembly questions or problems, please call **1-800-523-5542** and ask for Customer Service.